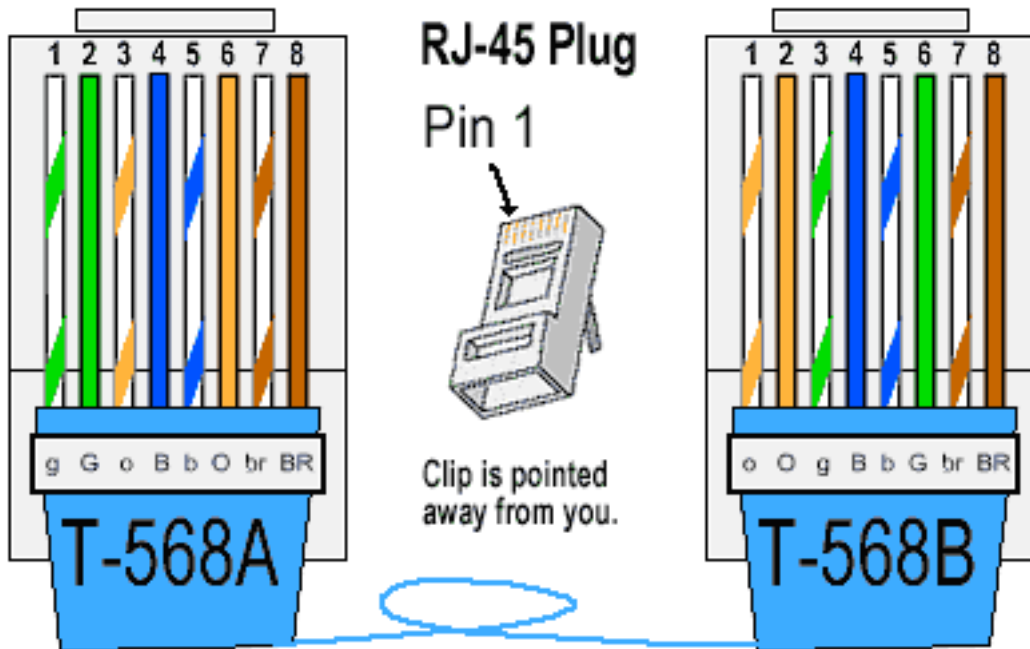


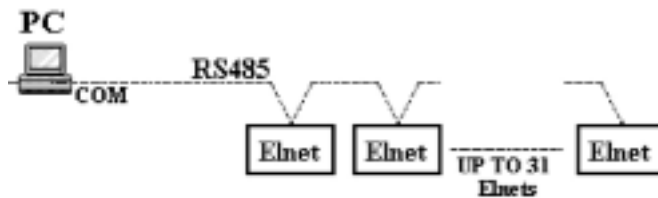
How to connect your SuperBrain or Elnet with your computer or online.

There are three possibilities:

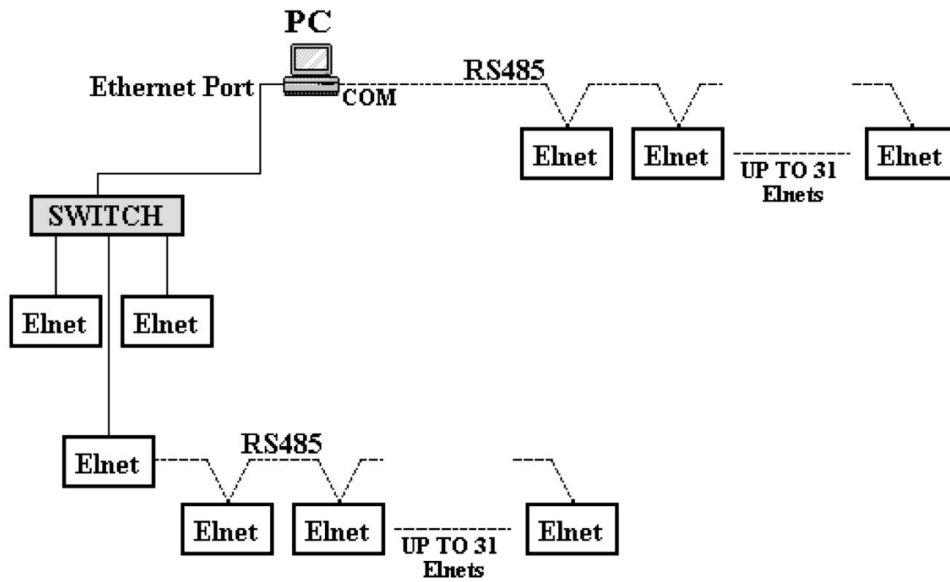
1. You can connect it with Crossover cable (PC-----SuperBrain) via UTC port.



2. Second option is to connect it via RS485 connection (Modbus or Bacnet protocol). On this picture there are Elnet power meters, but you can do the same with Superbrain.



3. Third option is connection via Ethernet Port and UTP cable.



————— TCP/IP ETHERNET (Shielded & Grounded)

- - - - - RS 485 (Shielded & Grounded)